



BT600F Intelligent Dispensing Peristaltic Pump

BT600F intelligent dispensing peristaltic pumps adopt stepper servo motors, 4.3 inch HD LCD touch screen display and operation, multiple dispensing modes are available, Through the Lead Fluid APP software, the pump can be remotely controlled and the running status can be monitored in real time.

Application Fields: Modern Laboratories, Industrial Production, Agriculture, Medical Equipment, and other sectors

Typical Applications: Bacterial/Cell Culture, Microfluidic Transfer, Reagent and Medium Dispensing

Feature

- 4.3 inch color LCD display, intuitive image.
- Touch screen with key operation, convenient and fast.
- LF-Touch-OS software system, efficient and stable, with good human-computer interaction mode, convenient product customization and upgrade.
- Working modes: flow rate, time dispensing, volume dispensing, programming dispensing.
- Five sets of dispensing parameters for volume and time dispensing pre-storage.
- Programming mode supports 30 different quantitative parameter settings for complex control processes.
- Start/stop, reversible direction, full speed, suction function, timed start-stop.
- Accurate flow control and display, microstep algorithm to ensure the dispensing accuracy of different settings.
- Wizard flow calibration function, easy to use.
- Unique back suction function to prevent liquid drips.
- Support for serial print parameters and data.
- Intelligent temperature control function, automatically adjusting the heat according to the environment, so that the device is always in the best state.
- WIFI control function, remote operation can be realized through the Lead Fluid APP software, and has monitoring functions such as shutdown alarm and reminding to replace the pump tube.
- External analog adjust speed , external control start-stop ,reversible direction, dispensing, external signal physical isolation.
- RS485 communication interface, MODBUS protocol is available, can set up communication parameters, convenient to connect various of control equipments.
- Open multiple control parameters , suitable for OEM custom applications.
- The circuit board is sprayed with three anti paint technology to achieve the effect of dustproof and moisture-proof.
- Super anti-interference feature, wide input voltage range, acceptable for the complex power environment.
- Innovative stainless steel housing, easy to clean, effectively prevent the erosion of various organic solvents.

Technical Parameter

Parameter	BT600F
Flow range	0.005~3000mL/min
Speed range	0.1~600 rpm
Speed resolution	0.1rpm
Speed accuracy	< ±0.2%
Dispensing volume	0.001μL ~ 9999L (It is recommended to have a minimum fill of 50μL)
Dispensing time	1 ~ 50000, "0" Infinite cycle
Dispensing interval time	0.1 ~ 999.9 S/Min/H, time unit adjustable
External control signal input	Control start/stop, direction, adaptable to 5-24V; analog signals 0-5V/0-10V/4-20mA can be configured
External control signal output	Start/stop, direction status output
Communication interface	RS485 communication interface, Modbus protocol is available, WIFI function(optional)
Power supply	AC100 ~ 240V, 50Hz/60Hz
Power consumption	<60W
Working environment	Temperature 0 ~ 40°C, relative humidity < 80%
IP grade	IP31
Dimension (L×W×H)	292×160×183mm
Weight	4.5 kg

BT600F Applicable Pump Head and Tube, Flow



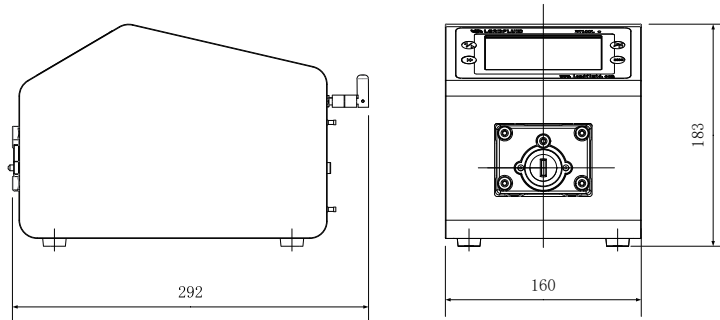
Drive Type	Pump Head	Channel	Tube	Single Channel Flow Rate (mL/min)
BT600F	YZ15/YZ15T	1,2	13#14#19#16#25#17#18#	0.005 ~ 2562
	YT25	1	114#116#15#24#35#36#	0.024 ~ 3000

Above flow parameters are obtained by using silicone tube to transfer pure water under normal temperature and pressure, in actually using it is effected by specific factors such as pressure, medium etc. Above for reference only.

Filling Application Reference Table

Filling fluid volume	Pump head	Tube	Speed (rpm)	Filling time (S)	Reliability error (%)
0.3mL	YZ15	13#	> 500	< 0.6	< ±2
0.5mL	YZ15	13#	> 500	< 1	< ±1
0.8mL	YZ15	13#	> 500	< 1.6	< ±1
1mL	YZ15	13#	> 500	< 2	< ±1
2mL	YZ15	14#	> 500	< 1.1	< ±1
3mL	YZ15	14#	> 500	< 1.65	< ±1
5mL	YZ15	19#	> 500	< 1.68	< ±1
8mL	YZ15	16#	> 500	< 1.2	< ±1
10mL	YZ15	16#	> 500	< 1.5	< ±1
20mL	YZ15	25#	> 500	< 1.43	< ±1
50mL	YZ15	17#	> 500	< 2.11	< ±1

Dimension(mm)



Statement: The final explanation right of above information belongs to Lead Fluid.