

AG600S Basic Speed Variable Peristaltic Pump



AG600S peristaltic pump is used for continuous liquid transfer, featuring high speed, knob operation, and speed display. This pump is suitable for applications such as bio-pharmaceutical fermentation.

Application Fields: Biological Fermentation and other fields

Features

- Rotary encoder controls running speed, reversible direction, start/stop, full speed, easy to operate.
- The digital display shows the speed and operational status.
- Large torque brushless motor drive, more power, free maintenance.
- 304 stainless steel shell, easy to clean, effectively prevent the corrosion of organic solvents.



YZ15T

YT25

KZ25-L

YZ35

Technical Parameter

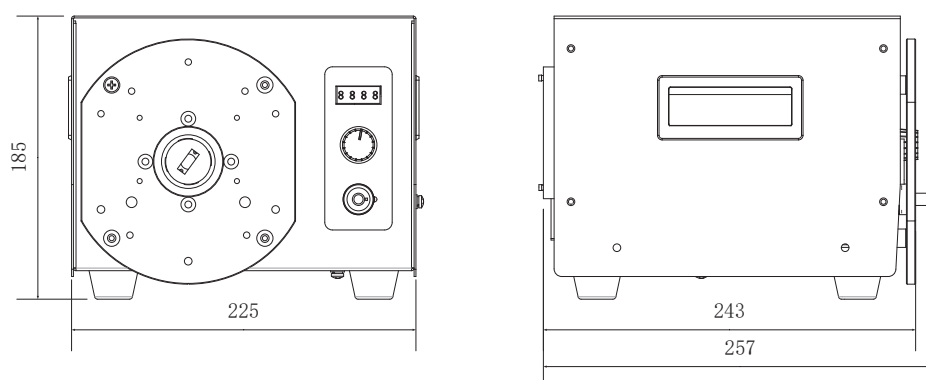
Parameter	AG600S
Pump head	YZ15/YZ15T, 2×YZ15, YZ25, 2×YZ25, YT15, YT25, 2×YT15, 2×YT25, YZ35, KZ25
Flow range	2 ~ 13200mL /min
Speed range	30 ~ 600rpm
Speed accuracy	1rpm
Knob function	Control speed, direction of rotation, start and stop
External control	None
Communication interface	None
Display function	Digital display shows current operating speed
Working direction	CW/CCW
Adjustable	Knob operation
Power supply	AC220V 50Hz/60Hz
Wattage	<200W
Working environment	Temperature 0 ~ 40°C, relative humidity < 80%
Dimension	257×225×185 mm
Drive weight	7.5kg
IP grade	IP31

AG600S Applicable Pump Head and Tube, Flow

Drive Type	Pump Head	Channel	Tube	Single Channel Flow Rate(mL/min)
AG600S	YZ15/YZ15T	1,2	13#14#16#19#25#17#18#	2 ~ 2479
	YT25	1,2	15#24#35#36#	51 ~ 3000
	YZ35	1	73#82#	400 ~ 13200
	KZ25	1	15#24#35#36#	93 ~ 6600

Above flow parameters are obtained by using silicone tube to transfer pure water under normal temperature and pressure, in actually using it is effected by specific factors such as pressure, medium etc. Above for reference only.

Dimension (mm)



Statement: The final explanation right of above information belongs to Lead Fluid.